

AL-SAKHOUR AL-JABALIA

TRADING EST



AL-SAKHOUR AL-JABALIA
TRADING EST

Al Jubail, Damam - Saudi Arabia
+966 50 8806707

INTRODUCTION

Al Sakhour Al Jabalia Trading Est. is one of the largest Electrical, Contraction & Industrial Materials trading firm in Eastern Province of kingdom of Saudi Arabia with its headquarter in Jubail. The establishment deals with all kind of essential materials required for projects sites, with Our adaptability to changing environment and customer mind set we have acquired a very rapid growth in the sector of operation. Our strong customer base shows it all. At this point of time the firm is looking forward to establish itself as a strong

Retailer with multiple distribution point and increase. The corporate customer dealing capacity by expanding warehouses. Logistics & splendid stock basis. The company under the leadership of Ohud Ahmed Mohammed Almo Since 2024 have successfully fulfilled all the budget plans and now growth is not any more a plan but a part of our everyday business functioning.

VISION:

We aim to be the best team of marketing and sales with improved stock and Logistics skills. Thus we aim to achieve the best market position in Operation sector

MISSION:

Al Sakhour Al Jabalia Trading Est.

We believe the best in retail business to come from the way we treat our customers. We also strive to have best skills of marketing and thus attain a leading position. Safety norms are strictly followed in our warehouses and showroom. The firm try to ensure the best safety precautions. All personnel in material handling has been provided with proper training before assigning the job.

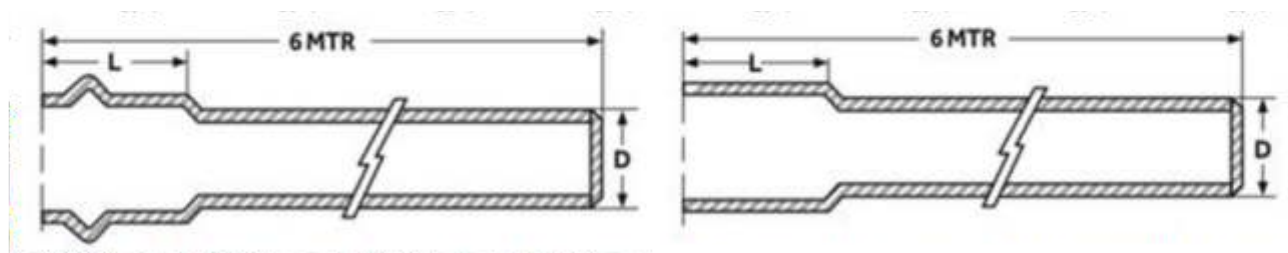
II. Standard Tables

uPVC Pipes

uPVC Pipes According to SSA 14 & 15/1998, ISO 161/1 and DIN 8061/62 Standard,
Nominal Outside Diameters & Nominal Wall Thickness

Normal Outside Diameter (mm)	Socket Depth for RO mm (t)	Socket Depth for S/J mm (t)	Class I 2 Bar		Class II 4 Bar		Class III 6 Bar		Class IV 10 Bar		Class V 16 Bar	
			Non wt. kg/m	Non thick of the wall mm	Non wt. kg/m	Non thick of the wall mm	Non wt. kg/m	Non thick of the wall mm	Non wt. kg/m	Non thick of the wall mm	Non wt. kg/m	Non thick of the wall mm
16											0.090	1.2
20		20									0.137	1.5
25		25							0.174	1.5	0.212	1.9
32		32							0.264	1.8	0.342	2.4
40		40					0.334	1.8	0.350	1.9	0.525	3.0
50		50					0.422	1.8	0.552	2.4	0.809	3.7
63	117	63					0.562	1.9	0.854	3.0	1.289	4.7
75	119	70			0.642	1.8	0.782	2.2	1.220	3.6	1.820	5.6
90	124	79			0.774	1.8	1.130	2.7	1.750	4.3	2.610	6.7
110	129	91	0.950	1.8	1.160	2.2	1.640	3.2	2.610	5.3	3.900	8.2
125	132	100	1.080	1.8	1.480	2.5	2.130	3.7	3.340	6.0	5.010	9.
140	135	109	1.210	1.8	1.840	2.8	2.650	4.1	4.100	6.7	6.270	10.4
160	142	121	1.390	1.8	2.410	3.2	3.440	4.7	5.470	7.7	8.170	11.9
200	150	145	1.740	1.8	3.700	4.0	5.370	5.9	8.510	9.6	12.800	14.9
225	162	160	1.960	1.8	4.700	4.5	6.760	6.6	10.800	10.8	16.100	16.7
250	162	175	2.400	2.0	5.650	4.9	8.310	7.3	13.200	11.9	19.900	18.6
280	120	193	3.110	2.3	7.110	5.5	10.400	8.2	16.600	13.4	24.900	20.8
315	180	214	3.780	2.5	9.020	6.2	13.100	9.2	20.900	15.0	31.500	23.4
355	189		4.870	2.9	11.400	7.0	16.700	10.4	26.500	16.9	39.900	26.3
400	200		6.100	3.2	14.500	7.9	21.100	11.7	33.700	19.1	50.800	29.7
450	213		7.650	3.6	18.500	8.9	26.800	13.2	42.700	21.5		
500	253		9.370	4.0	22.400	9.8	32.900	14.6	52.600	23.9		
630	315		14.700	5.0	35.700	12.4	52.200	18.4	83.200	30.0		
710	450		18.900	5.7	45.300	14.0	66.100	20.7				

Note: SSA 14 is a withdrawn standard replaced by SASO-ISO 1452-2 and produced on request only for an indefinite period of time.



HANDLING PVC SCHEDULE 80 & SCHEDULE 40 FITTINGS

PVC SCHEDULE 80



BUSHING 5/30 3" x 1 1/2" 54
 BUSHING S/80 3" x 2" 54
 BUSHING 5/80 4" x 2" 40
 BUSHING 5/80 4" x 3" 62
 BUSHING 5/80 6" x 4" 18
 BUSHING 5/80 8" x 6" 6



CAP S/80 1/2" 1000
 CAP S/80 3/4" 1000
 CAP S/80 1" 500
 CAP S/80 1 1/4" 300
 CAP S/80 1 1/2" 300
 CAP S/80 2" 100
 CAP S/80 3" 20
 CAP S/80 4" 20
 CAP S/80 6" 8



COUPLING 5/80 1/2" 600
 COUPLING S/80 3/4" 500
 COUPLING 5/80 1" 200
 COUPLING 5/80 1 1/2" 150
 COUPLING S/80 2" 80
 COUPLING S/80 3" 80
 COUPLING S/80 4" 30



ELBOW S/80 45d 1/2" 600
 ELBOW S/80 45d 3/4" 500
 ELBOW S/80 45d 1" 200
 ELBOW S/80 45d 1 1/2" 100
 ELBOW S/80 45d 2" 80
 ELBOW 5/80 45d 3" 18
 ELBOW S/80 45d 4" 30
 ELBOW S/80 45d 6" 10



ELBOW S/80 90d 1/2" 600
 ELBOW S/80 90d 3/4" 500
 ELBOW S/80 90d 1" 100
 ELBOW S/80 90d 1 1/2" 65
 ELBOW S/80 90d 2" 80
 ELBOW S/80 90d 3" 30
 ELBOW S/80 90d 4" 18
 ELBOW S/80 90d 6" 8



TEE S/40 1/2" 500
 TEE S/40 3/4" 300
 TEE S/40 1" 100
 TEE S/40 2" 20
 TEE S/40 3" 30
 TEE S/40 4" 34
 TEE S/40 6" 7
 TEE S/40 8" 2



TEE S/80 1/2" 200
 TEE S/80 3/4" 200
 TEE S/80 1" 150
 TEE S/80 1 1/2" 85
 TEE S/80 2" 35
 TEE S/80 3" 25
 TEE S/80 4" 12
 TEE S/80 6" 5
 TEE S/80 6" x 4" 7



TEE SANITARY S/40 4" 10



VENT COVER S/40 3" 100
 VENT COVER S/40 4" 60

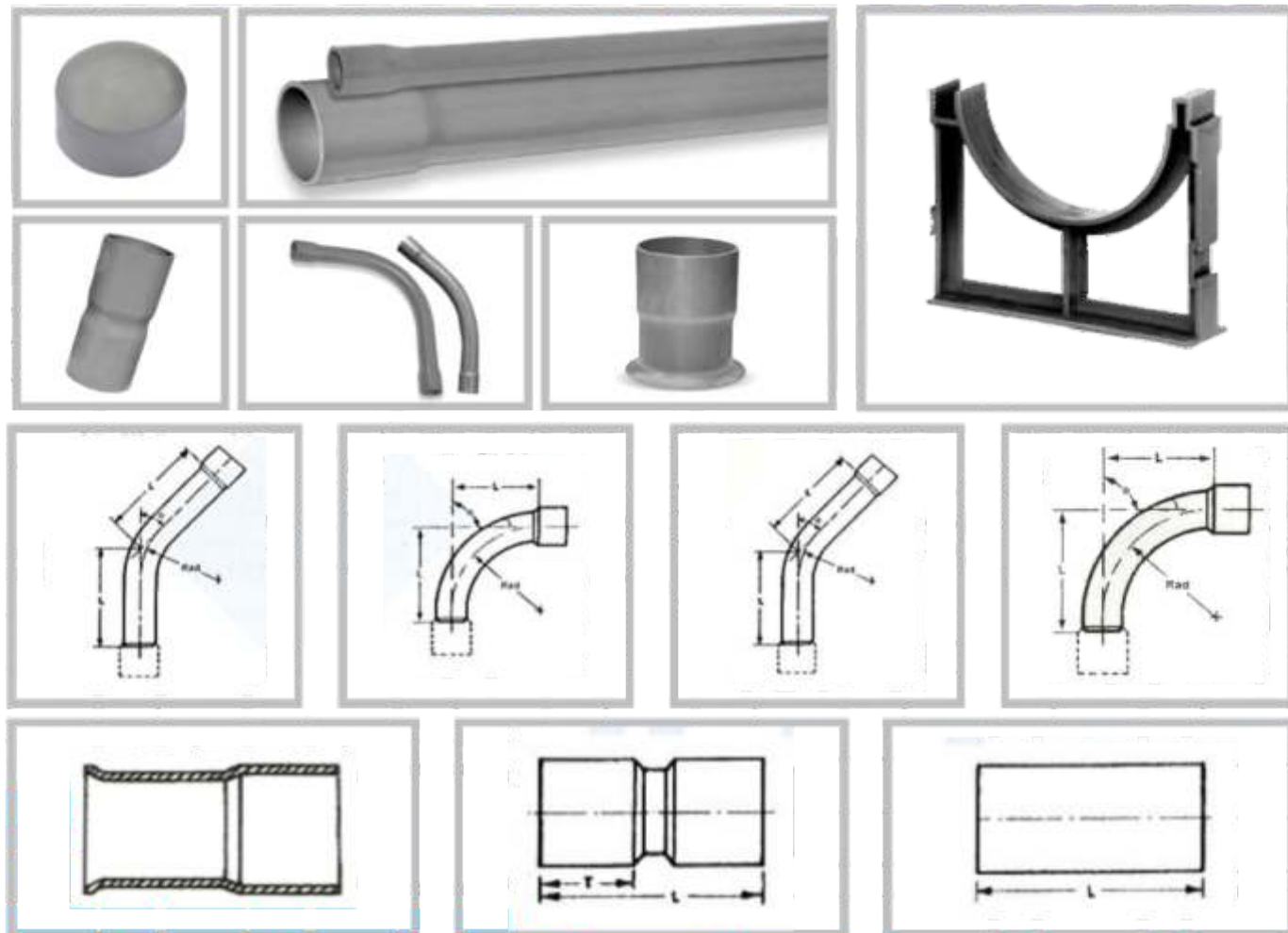


WYE S/40 4" 10
 WYE S/40 6" 5

FABRICATED PRODUCTS FOR ELECTRICAL SYSTEM

UPVC REGISTER COUPLING (DOUBLE SOCKET) & REPAIR COUPLING

Suitable for usage of Pipes and Fittings.



RIGID PVC PIPES AS PER NEMA TC 8 PVC TYPE DB-120 & ASTM F 512 (ELECTRICAL USE) - FOR DIRECT BURIAL UNDERGROUND

SR NO	NOMINAL PIPE SIZE INCH	SR NO	SR NO	SR NO
1	1"	33.270	1.520	0.251
2	1 1/2"	48.110	1.520	0.369
3	2"	60.170	1.960	0.576
4	3"	88.700	3.000	1.250
5	4"	114.070	3.910	2.050
6	6"	168.000	5.770	4.420

PIPES ARE STANDARDISED AT 5.8 & 6 M LENGTH.

SOCKET TYPE: STANDARDISED AS SOLVENT CEMENT JOINED (SCJ) FOR 2" & ABOVE ALL SIZES AVAILABLE WITH PLAIN ENDS.

COLOUR: DARK GREY. OTHER COLOURS OFFERED ON REQUEST

RIGID PVC PIPES AS PER ASTM D T785 SCH-40

SR NO	NOMINAL PIPE SIZE INCH	OUTSIDE DIAMETER MIN (MM)	WALL THICKNESS MIN (MM)	WEIGHT KG/MTRV	PRESSURE AT 23° C (SHORT TERM TESTS)	
					BAR	PSI
1	1/2"	21.24	2.770	0.248	41.38	600
2	3/4"	26.57	2.870	0.329	33.10	480
3	1"	33.27	3.380	0.483	31.03	450
4	1 1/4"	42.03	3.560	0.652	25.52	370
5	1 1/2"	48.11	3.680	0.779	22.76	330
6	2"	60.17	3.910	1.040	19.31	280
7	2 1/2"	72.84	5.160	1.650	20.69	300
8	3"	88.70	5.490	2.160	17.93	260
9	4"	114.07	6.020	3.070	15.17	220
10	6"	168.00	7.110	5.410	12.41	180
11	8"	218.70	8.180	8.150	11.03	160

PIPES ARE STANDARDISED AT 6M LENGTH. OTHER LENGTHS AVAILABLE ON REQUEST
 SOCKET TYPE: STANDARDISED AS SOLVENT CEMENT JOINTED (SCJ).
 PLAIN END AVAILABLE ON REQUEST.

COLOUR: WHITE. OTHER COLOURS OFFERED ON REQUEST

RIGID PVC PIPES AS PER ASTM D-1785 SCH 80

SR NO	NOMINAL PIPE SIZE INCH	OUTSIDE DIAMETER MIN (MM)	WALL THICKNESS MIN (MM)	WEIGHT KG/MTRV	PRESSURE AT 23° C (SHORT TERM TESTS)	
					BAR	PSI
1	1/2"	21.24	3.730	0.309	58.62	850
2	3/4"	26.57	3.910	0.418	47.59	690
3	1"	33.27	4.550	0.614	43.45	630
4	1 1/4"	42.03	4.850	0.850	35.86	520
5	1 1/2"	48.11	5.080	1.030	32.41	470
6	2"	60.17	5.540	1.430	27.59	400
7	2 1/2"	72.84	7.010	2.180	28.97	420
8	3"	88.70	7.620	2.910	25.52	370
9	4"	114.07	8.560	4.260	22.07	320
10	6"	168.00	10.970	8.130	19.31	280
11	8"	218.70	12.700	12.400	17.24	250

HDPE PRODUCTS AND FABRICATIONS

We are Stockists for High Density polyethylene (HDPE) Fittings as per Various International Standards.

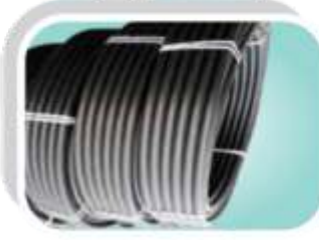
HDPE Pipes, Fittings, and various customized starting from range of 20mm & above.

We are also supplying HDPE Butt Fusion and Electrofusion Welding Machines, Accessories.

We are also supplying HDPE segmented fittings, Saddles, etc. and Specialist in Custom Fabrications of Headers,

Spools, Anti Vortex plate and Puddle Flanges as per customer requirements.





GRP FABRICATED PRODUCTS

We do focus also on the GRP Fittings and Custom made fittings for
require



METAL PRODUCTS

DI FLANGE ADAPTOR, UNIVERSAL COUPLER, DISMANTLING JOINTS AND VALVES



SAFETY PRODUCTS





AL-SAKHOUR AL-JABALIA
TRADING EST



Get In Touch

Al Jubail, Damam, Saudi Arabia | +966 50 88 06 707